



# PLANETARY MIXER BM-5E

Table-top model with 5-lt / qt. bowl.



Net weight: 13.7 Kg  
Noise level (1m.): <80 dB(A)  
Background noise: 45 dB(A)

**Crated dimensions**  
360 x 430 x 565 mm  
Gross weight: 17 Kg

## AVAILABLE MODELS

- |         |                              |
|---------|------------------------------|
| 1500180 | Food mixer BM-5E 230/50-60/1 |
| 1500185 | Food mixer BM-5E 120/60/1    |

\* Ask for special versions availability

DYNAMIC PREPARATION  
PLANETARY MIXERS

## SALES DESCRIPTION

Designed for light duty use.

- ✓ Professional food mixer for preparing dough (bread, cake...), egg whites (soufflés, meringue...), sauces (mayonnaise...) and minced meat mixtures.
- ✓ Equipped with an extractible safety guard.
- ✓ Continuous variable electronic speed control.
- ✓ Lever operated bowl lift.
- ✓ Double micro switch for bowl position and safety guard.
- ✓ NSF-International certified appliance (complying with Hygiene, Cleaning and Food Material regulations)

## INCLUDES

- ✓ Stainless steel bowl.
- ✓ Beater spatula for soft dough.
- ✓ Spiral hook for heavy dough.
- ✓ Balloon whisk.

## ACCESSORIES

- Bowls for planetary mixers

## SPECIFICATIONS

Bowl capacity: 5 l  
 Bowl dimensions: -- mm x -- mm  
 Capacity in flour (60% water): 1 Kg  
 Timer (min-max): -- ' - -- '  
 Tool speed: 98-455 rpm  
 Planetary speed: 40-187 rpm  
 Total loading: 300 W

### External dimensions (WxDxH)

- ✓ Width: 310 mm
- ✓ Depth: 382 mm
- ✓ Height: 537 mm



product sheet  
updated 08/07/2022

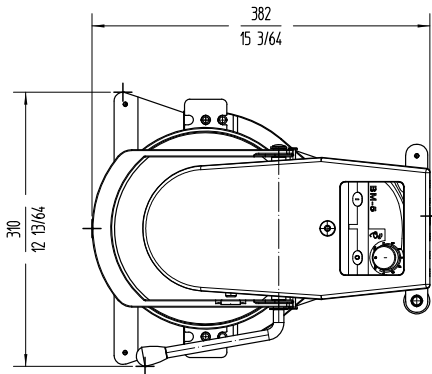
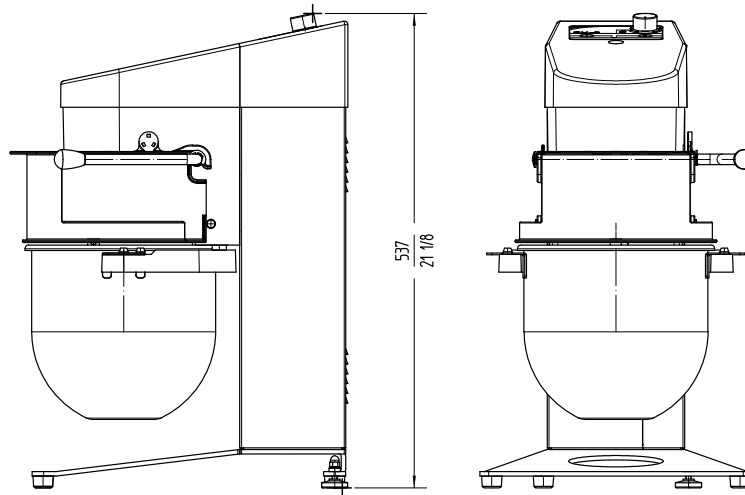


# PLANETARY MIXER BM-5E

Table-top model with 5-lt / qt. bowl.



DYNAMIC PREPARATION  
PLANETARY MIXERS



 **sammic** | [www.sammic.com](http://www.sammic.com)  
Food Service Equipment Manufacturer

Polígono Basarte, 1.  
20720 Azkoitia, Spain

phone +34 943 15 72 36  
[sales@sammic.com](mailto:sales@sammic.com)



Project	Date
Item	Qty
Approved	

product sheet  
updated 08/07/2022