



DM-12



DM-20



FEATURES

- Crystal Clear Bowl. Maximizes the visibility.
- Polycarbonate bowl. Minimizes the risk of breakage.
- Safety Touchless Tap. Press the glass against the tap
- Rotary system keeps the product well blended
- Adjust the product temperature between 32°F - 50°F
- Fast & Easy cleaning
- Wide range of products
- Drip tray

Related Products & Accessories



Mixer
SL300350806



Drip Tray
SL340000536



Tap
SL310004203



Bowl
(DM-12) SL310006305
(DM-20) SL310006306



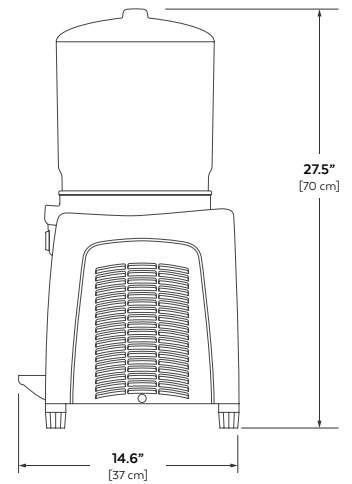
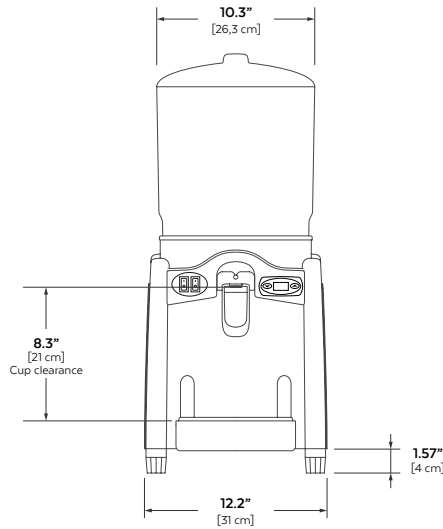
Lid
(DM-12) SL300500050
(DM-20) SL310004207



Seal Kit
(DM-12) SL310R00251
(DM-20) SL310R00252

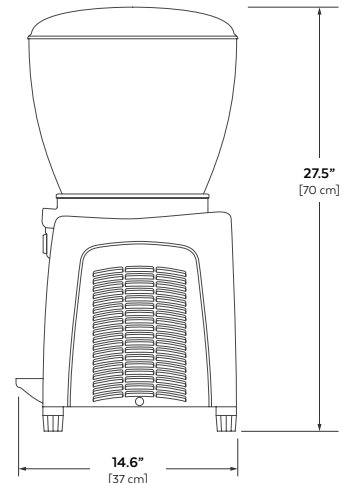
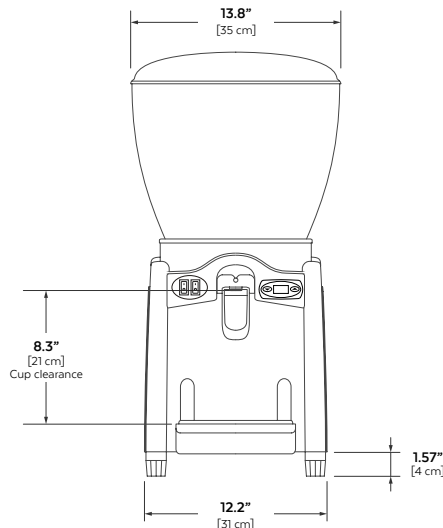
DM-12

Single bowl Drink Cooler Machine with one 3.2 Gallon Bowl



DM-20

Single bowl Drink Cooler Machine with one 5.3 Gallon Bowl



Specifications

MODEL	DESCRIPTION	CAPACITY	TAP CLEARANCE	DIMENSIONS	WEIGHT	SHIP DIMENSIONS
DM-12	Single bowl Drink Cooler Machine	3.2 Gallons 12 Liters	8.3 in 21 cm	27.5 x 12.2 x 14.6 in 70 x 31 x 37 cm	40.3 lbs. 16.3 Kg	31 x 16.9 x 20 in 79 x 43 x 51 cm
DM-20	Single bowl Drink Cooler Machine	5.3 Gallons 20 Liters	8.3 in 21 cm	27.5 x 13.8 x 14.6 in 70 x 35 x 37 cm	41 lbs. 16.6 Kg	31 x 16.9 x 20 in 79 x 43 x 51 cm

Utility Requirements

MODEL	PHASE	VOLTS	AMPS	WIRE	WATTS	HERTZ
DM-12	1 PH	115 V	2.2 A	2W+G	160 W	50/60 Hz
DM-20	1 PH	115 V	2.4 A	2W+G	170 W	50/60 Hz

WARNING: This product can expose you to chemicals including Bisphenol A (BPA), which is known to the State of California to cause birth defects or other reproductive harm. For more information go to www.P65Warnings.ca.gov