

# TPI-98ET

## 90 IPERLOTUS INDUCTION SOLID TOP

Three-phase induction Solid top - glass  
cm.75x77 (included 1 Head end filler strip  
mod.TPA-9)



**Construction** - Fabricated using CrNi 18/10 AISI 304 grade Stainless Steel Scotch-Brite Satin polish Finish, incorporating 2mm thick worktop, rounded edges, chromed details and rear splash back. Knobs with waterproof grades IPX5. **Model** -Professional Three-phase induction Solid Top on cabinet. Ceramic glass top with high output cooking areas, heats only the content of the pan with magnetic steel base. Four normal or digital controls offer accurate adjustment for delicate to high cooking temperatures. **Maintenance** - All serviceable parts are accessible by the easy removal of front control panel. **Fittings** - Appliance is supplied with adjustable feet.

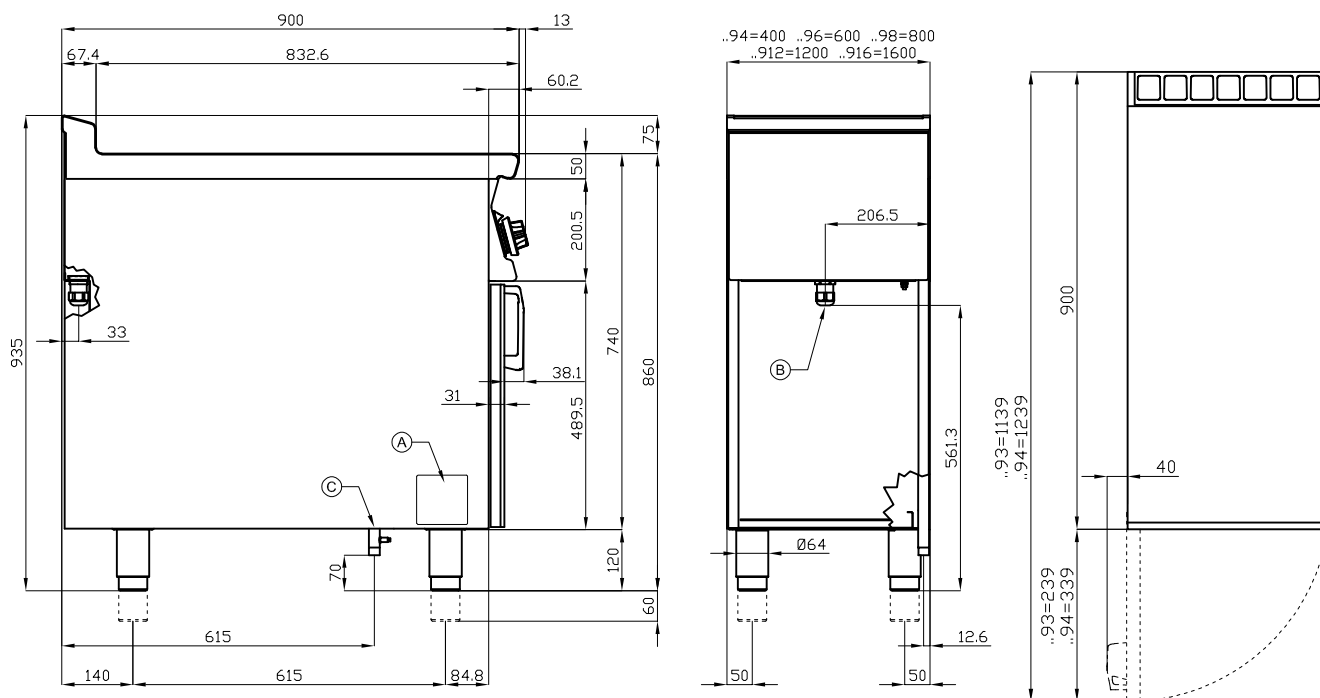


ITALIAN CULINARY ART

The pictures are purely representative. The manufacturer reserves the right to modify the technical data and models without previous notice.

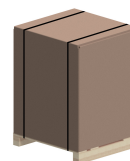
# TPI-98ET

90 IPERLOTUS  
INDUCTION SOLID TOP



A	Data plate	B	Electrical connection
---	------------	---	-----------------------

MODEL: TPI-98ET  
 DIMENSIONS: cm. 80x 90x 90h  
 ELECTRIC POWER: 28 kW  
 VOLTAGE: 400V~3  
 FREQUENCY: 50/60 Hz



kg: 95  
 m<sup>3</sup>: 0.894  
 mm: 830x970x1110

BUY LOTUS BUY ITALY

The pictures are purely representative. The manufacturer reserves the right to modify the technical data and models without previous notice.



LOTUS S.P.A. Via Calmaor, 46  
 31020 San Vendemiano(TV) - Italy  
 Tel. + 39 0438 778020 / 778468  
 Fax + 39 0438 778277  
 www.lotuscookers.it - lotus@lotuscookers.it