

TPFV4-712GPEV

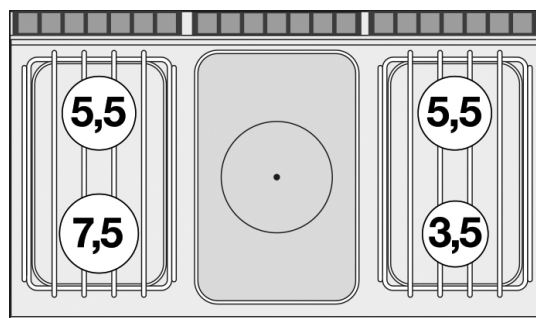
70 SUPERLOTUS

GAS SOLID TOP WITH ELECTRIC OVEN

Solid top + 4 burners electric fan oven cm.
55x36x34h, temp: 50÷300°C , with 1 grid
cm.53x32,5 GN1/1 - Plate 37x57cm - Neutral
cabinet with door (included 1 Head end filler
strip mod.TPA-7)



Construction - Fabricated using CrNi 18/10 AISI 304 grade Stainless Steel Scotch-Brite Satin polish Finish, incorporating 2 mm thick worktop, rounded edges, chromed details and rear splash back. Knobs with waterproof grades IPX5. Model - Professional Gas Solid Top with Static or Ventilated Electric Oven, versions with or without 2 or 4 burners, with or without compartment. Piezoelectric ignition with pilot light, 15mm thick steel top for the best in heat conductivity including thermocouple safety valves. Burners with ignition by pilot light, taps with thermocouple safety valve. Modulating flame burners, grills in stainless steel rods or cast iron, with removable liquid collectors. Electric ventilated GN 1/1 oven, or static GN 2/1 and GN 3/1 oven equipped with wide doors and timers. Maintenance - All serviceable parts are accessible by the easy removal of front control panel and removable collectors. Fittings - Appliance is supplied with both LPG and Natural Gas conversion jets and adjustable feet.



ITALIAN CULINARY ART

The pictures are purely representative. The manufacturer reserves the right to modify the technical data and models without previous notice.

TPFV4-712GPEV

70 SUPERLOTUS

GAS SOLID TOP WITH ELECTRIC OVEN



A	Data plate		B	Electrical connection	
C	Gas connection	ISO 7-1 3/4" M			

MODEL: TPFV4-712GPEV
DIMENSIONS: cm. 120x 70,5x 90h
GAS POWER: 29 kW / 24.940 kcal/h
GAS TYPE: Natural Gas / LPG
ELECTRIC POWER: 5,32 kW
VOLTAGE: 400V~3N / 230V~3
FREQUENCY: 50/60 Hz



kg: 221
m³: 1.051
mm: 1230x770x1110

BUY LOTUS BUY ITALY

The pictures are purely representative. The manufacturer reserves the right to modify the technical data and models without previous notice.



LOTUS S.P.A. Via Calmaor, 46
 31020 San Vendemiano(TV) - Italy
 Tel. + 39 0438 778020 / 778468
 Fax + 39 0438 778277
www.lotuscookers.it - lotus@lotuscookers.it