

TP-98G

90 IPERLOTUS
GAS SOLID TOP

Solid top on open unit - Plate 79x73 cm
(included 1 Head end filler strip mod.TPC-9)



Construction - Fabricated using CrNi 18/10 AISI 304 grade Stainless Steel Scotch-Brite Satin polish Finish, incorporating 2mm thick worktop, rounded edges, chromed details and rear splash back. Knobs with waterproof grades IPX5. Model - Professional Gas Solid Top, versions with or without 2 or 4 burners, on open cabinet. Piezoelectric ignition with pilot light, 15mm thick steel top for the best in heat conductivity including thermocouple safety valves. Burners with ignition by pilot light, taps with thermocouple safety valve. Modulating flame burners, cast iron grills or in stainless steel rods with removable liquid collectors. Maintenance - All serviceable parts are accessible by the easy removal of front control panel and removable collectors. Fittings - Appliance is supplied with both LPG and Natural Gas conversion jets and adjustable feet. Doors not included.

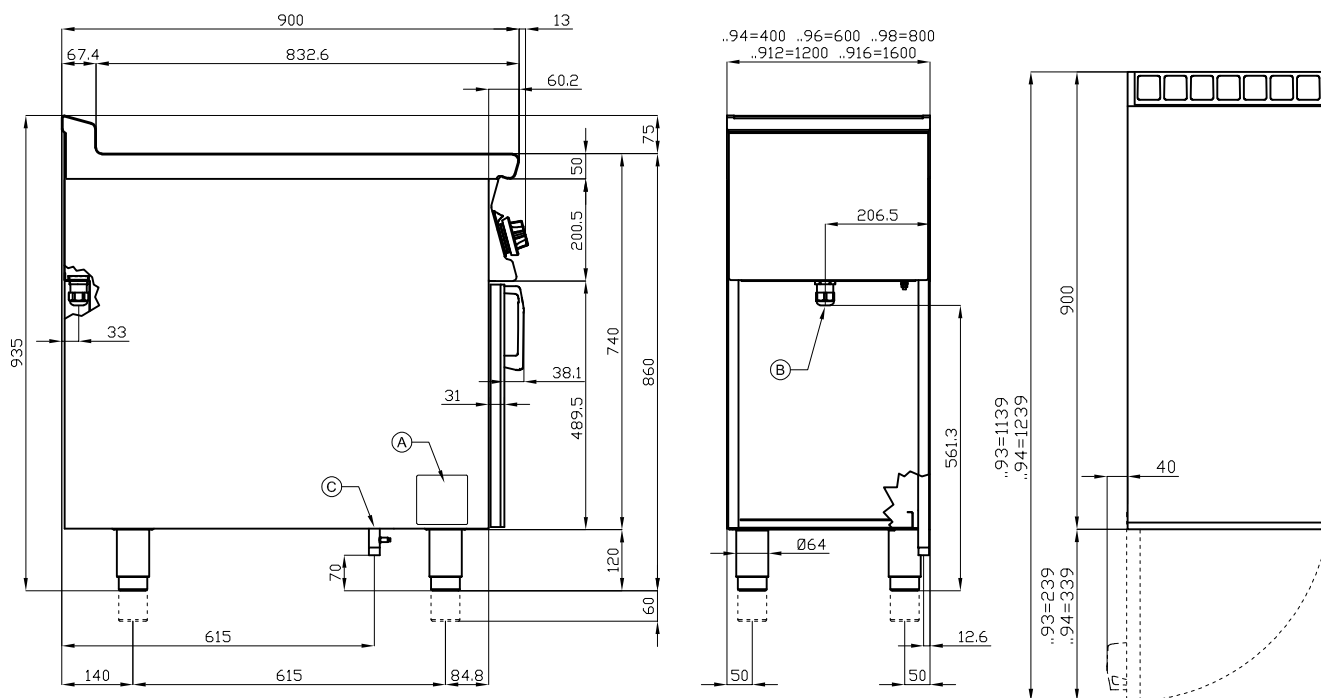


ITALIAN CULINARY ART

The pictures are purely representative. The manufacturer reserves the right to modify the technical data and models without previous notice.

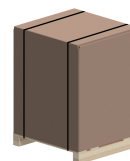
TP-98G

90 IPERLOTUS
GAS SOLID TOP



A	Data plate		C	Gas connection	ISO 7-1 1/2" M
---	------------	--	---	----------------	----------------

MODEL: TP-98G
 DIMENSIONS: cm. 80x 90x 90h
 GAS POWER: 12 kW / 10.320 kcal/h
 GAS TYPE: Natural Gas / LPG



kg: 144
 m³: 0.894
 mm: 830x970x1110

BUY LOTUS BUY ITALY

The pictures are purely representative. The manufacturer reserves the right to modify the technical data and models without previous notice.



LOTUS S.P.A. Via Calmaor, 46
 31020 San Vendemiano (TV) - Italy
 Tel. + 39 0438 778020 / 778468
 Fax + 39 0438 778277
 www.lotuscookers.it - lotus@lotuscookers.it